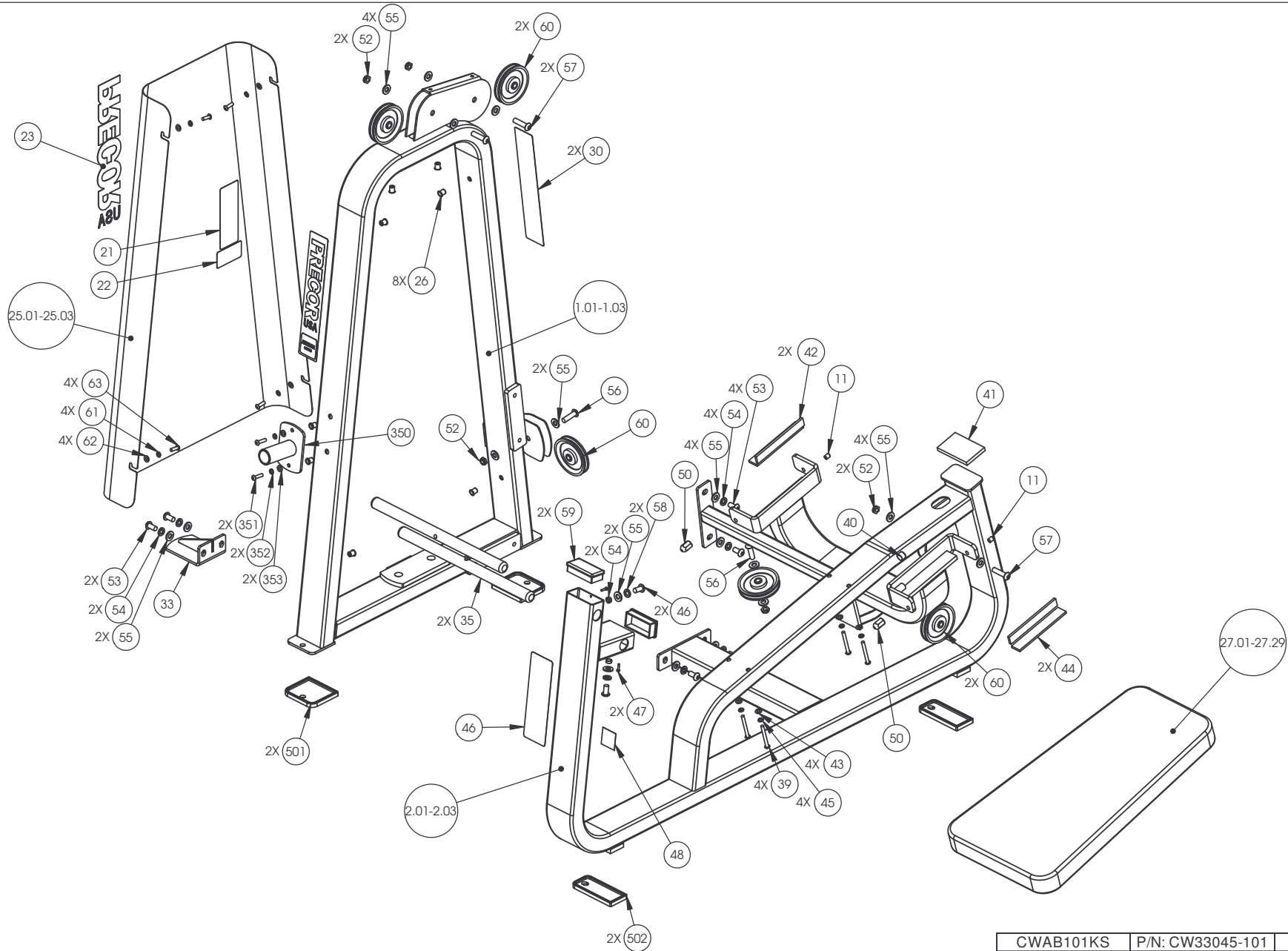
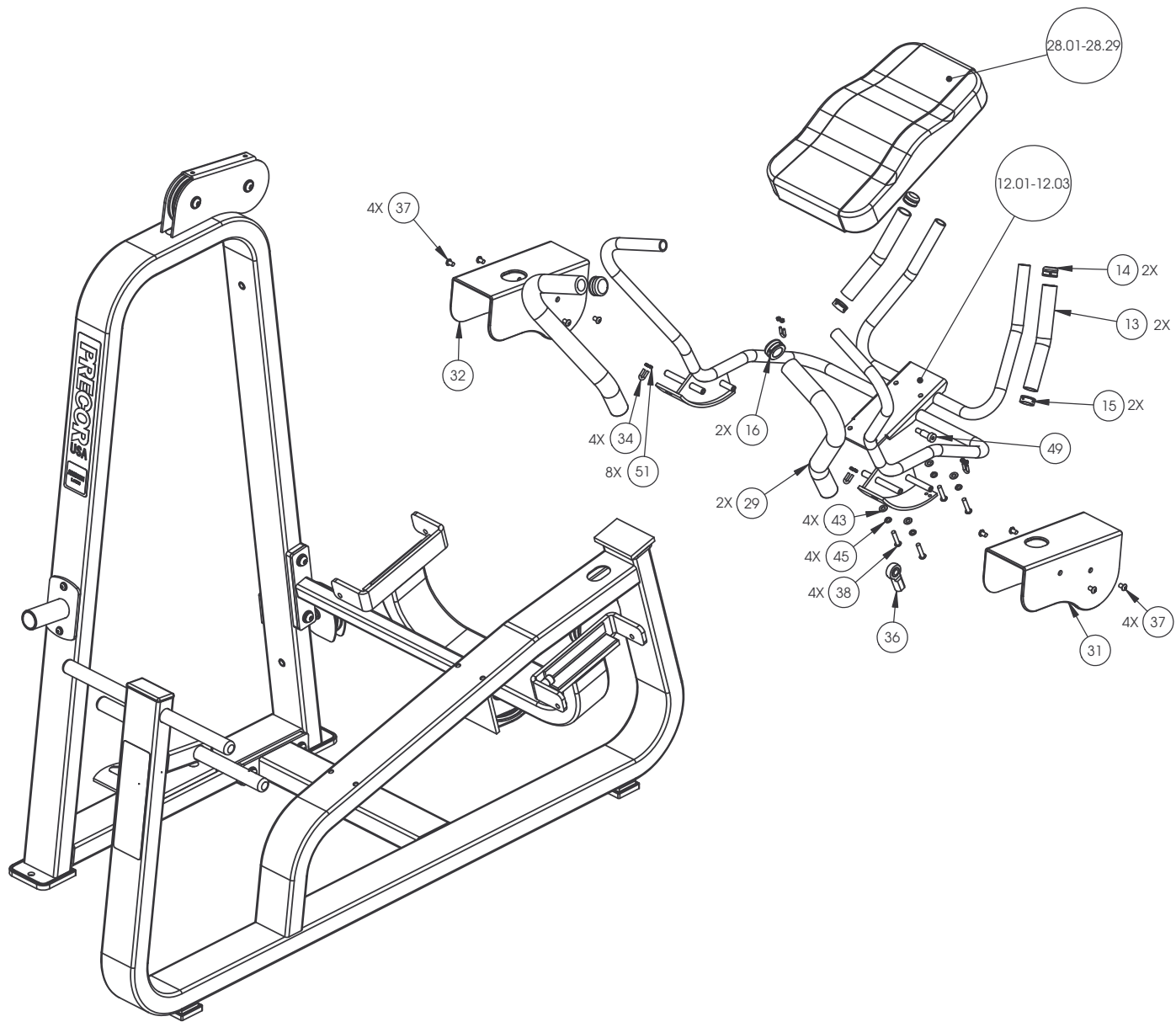


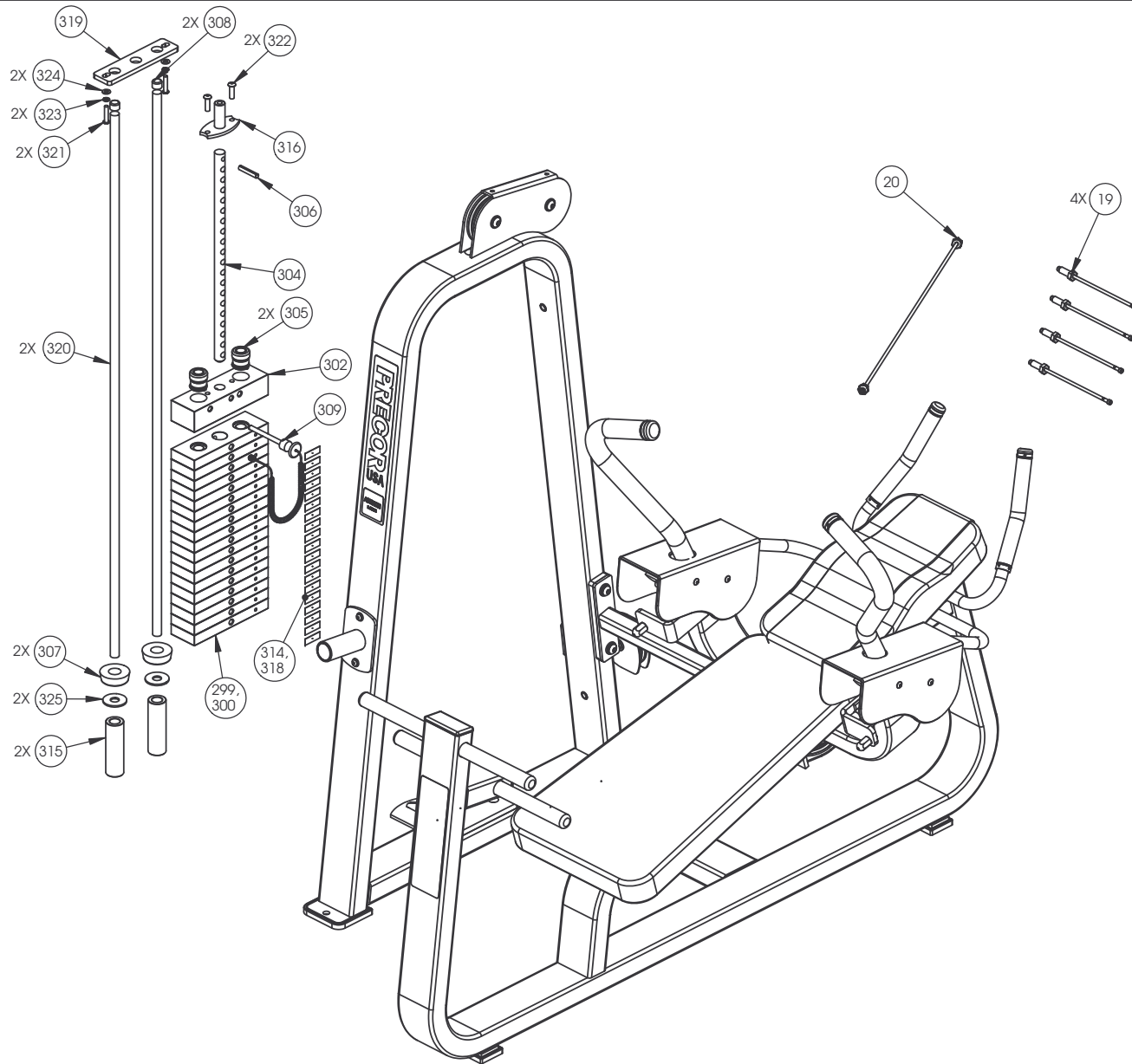
| | | |
|---------------|------------------|--------------|
| CWAB101KS | P/N: CW33045-101 | SUBREV: A |
| DRAWN BY: MGP | DATE: 08.17.06 | SHEET 1 OF 4 |



| | | |
|---------------|------------------|--------------|
| CWAB101KS | P/N: CW33045-101 | SUBREV: A |
| DRAWN BY: MGP | DATE: 08.17.06 | SHEET 2 OF 4 |



| | | |
|---------------|------------------|--------------|
| CWAB101KS | P/N: CW33045-101 | SUBREV: A |
| DRAWN BY: MGP | DATE: 08.17.06 | SHEET 3 OF 4 |



| | | |
|---------------|------------------|--------------|
| CWAB101KS | P/N: CW33045-101 | SUBREV: A |
| DRAWN BY: MGP | DATE: 08.17.06 | SHEET 4 OF 4 |

AB101KS Abench Pro

| Part Number | Description | Bubble Number |
|----------------------|-------------------------------------|----------------------|
| PPP00000CW33177211 | ASSY, A-FRAME, CWAB101KS, SKY WHITE | 1.01 |
| PPP00000CW33177321 | ASSY, A-FRAME, CWAB101KS, TITANIUM, | 1.03 |
| PPP00000CW32833211 | WELDMENT, FRAME, MAIN, CWAB101KS, S | 2.01 |
| PPP00000CW32833321 | WELDMENT, FRAME, MAIN, CWAB101KS, T | 2.03 |
| PPP000CWCLAC1163101 | CAP, DIP MOLDED, DIA 3/8", BLK | 11 |
| PPP000CWAB101SA3211 | ASSY,HANDLE,AB101,SKY WHITE | 12.01 |
| PPP000CWAB101SA3301 | ASSY,HANDLE,AB101,CUSTOM | 12.02 |
| PPP000CWAB101SA3321 | ASSY,HANDLE,AB101,TITANIUM HG | 12.03 |
| PPP00000CWGR4610000 | GRIP, RUBBER, 1.00" OD HANDLE, 10.0 | 13 |
| PPP00000CWAC218901 | HANDLE END CAP W/SET SCREWS, DIA 1" | 14 |
| PPP00000CWAC219902 | HNDL RETAINER RNG, W/SS,1.040" I.D. | 15 |
| PPP00000CWAC222901 | ASSY, SHAFT END CAP W/SET SCREWS, D | 16 |
| PPP0000CWCLBW009000 | ASSY, CABLE, ABENCH | 19 |
| PPP0000CWCLGP131000 | ASSY, CABLE, AB101KS | 20 |
| PPP00000CW30010102 | LABEL,WARNING STRENGTH | 21 |
| PPP00000CW30011102 | LABEL,WARNING WEIGHT STACK | 22 |
| PPP00000CW32091211 | ASSY, SHROUD, #5, SKY WHITE | 25.01 |
| PPP00000CW32091301 | ASSY, SHROUD, #5, CUSTOM | 25.02 |
| PPP00000CW32091321 | ASSY, SHROUD, #5, TITANIUM, HG | 25.03 |
| PPP00000CW12537109 | NUT,INSERT,THIN-NUT,LARGE FLANGE | 26 |
| PPP0000CWPD1211A101 | PAD,12-5/16X16X29.5,4HLS,BLACK | 27.01 |
| PPP00000CWGR0422000 | GRIP,FOAM, ID 1.00, OD 1.60 X 22 | 29 |
| PPP00000CW31757102 | LABEL, PRECOR USA | 30 |
| PPP0000CWBMCN019050 | BOLT, "U", GRADE 2, UNC, #10, 0.50" | 34 |
| PPP0000CWCLFA1064741 | ROD END, FEMALE, STEEL, ZINC, CAD, | 36 |
| PPP0000CWTAYN031050 | SCREW, BUTTON HEAD, BLK XYLAN, 5/16 | 37 |
| PPP0000CWTAYN031150 | SCREW, BUTTON HEAD, BLK XYLAN, 5/16 | 38 |
| PPP0000CWTAYN031300 | SCREW, BUTTON HEAD, BLK XYLAN, 5/16 | 39 |
| PPP00000CW12404101 | CAP, GUIDE ROD,DIA 3/4, BLK | 40 |
| PPP00000CW30014208 | CUT PIECE, CREPE, 3/8 THICK, 2.88 X | 41 |
| PPP00000CW33530101 | ASSY, CUT PIECE UHMW, 1/4 X 1 X 7 3 | 42 |
| PPP0000CWWBKN031007 | WASHER, FLAT, TYPE A, SAE, 5/16 ID | 43 |
| PPP00000CW33531101 | ASSY, CUT PIECE UHMW, 1/4 X 1 1/4 X | 44 |
| PPP0000CWVALYN031008 | WASHER, SPLIT, 5/16 ID, BL | 45 |
| PPP00000CW30062101 | LABEL,INSTRUCTION,AB101 | 46 |
| PPP0000CWPJCN016075 | SCREW, S/T, #8 X 3/4, WASHER HEAD, | 47 |
| PPP0000CWAC1074101 | LABEL, PATENT NUMBERS, ABENCH | 48 |
| PPP0000CWKPYN050031 | NUT, HEX THIN, UNC, 1/2-13, BLK XYL | 48 |
| PPP0000CWRRANN038100 | BOLT, SHOULDER, 3/8-16 X 1/2 X 1 | 49 |
| PPP0000CWCLFA1153741 | CAP, BULLET SHAPED, TAPPED | 50 |
| PPP0000CWKMLN019015 | NUT,HEX,10-24 UNC,NICKEL PLATED | 51 |
| PPP0000CWKAYN050031 | LOCKNUT, NYLON INSERT, HALF, UNC, 1 | 52 |
| PPP0000CWTAYN050100 | SCREW, BUTTON HEAD, BLK XYLAN, 1/2 | 53 |
| PPP0000CWVALYN050013 | WASHER, SPLIT, 1/2 ID, BLK XYLAN | 54 |
| PPP0000CWWBKN050010 | WASHER, FLAT, TYPE A, SAE, 1/2 ID X | 55 |
| PPP0000CWTAYN050175 | SCREW, BUTTON HEAD, BLK XYLAN, 1/2 | 56 |
| PPP0000CWTAYN050200 | SCREW, BUTTON HEAD, BLK XYLAN, 1/2 | 57 |
| PPP0000CWFA1124901 | SPACER, STEEL,5/8 OD X 1/2 ID X 1/4 | 58 |
| PPP00000CW11311102 | ENDCAP, REC TUBE, 2X4, BLK PLASTIC | 59 |
| PPP0000CWVALYN031008 | WASHER, SPLIT, 5/16 ID, BL | 61 |

| | | |
|----------------------|-------------------------------------|-----|
| PPP000CWWBKN031007 | WASHER, FLAT, TYPE A, SAE, 5/16 ID | 62 |
| PPP000CWTAYN031100 | SCREW, BUTTON HEAD, BLK XYLAN, 5/16 | 63 |
| PPP0000CWAC1133101 | BUSHING, WEIGHT PLATE, LDPE PLASTIC | 203 |
| PPP00000CW30171741 | PIN, WEIGHT STACK, 4.00 INCHES, ZN | 225 |
| PPP00000CW10505721 | ASSY, PLATE, WEIGHT, 05 LBS, WRKL B | 299 |
| PPP00000CW10510721 | ASSY, PLATE, WEIGHT, 10 LBS, WRKL B | 300 |
| PPP00000CW10540722 | PLATE, WEIGHT, SMALLTOP (STP-T), 10 | 302 |
| PPP00000CW30132712 | SELECTOR STEM, 20 PLATE,0.875 DIA, | 304 |
| PPP00000CW30184901 | ASSY,BARREL,TOP PLATE,ALUMINUM | 305 |
| PPP00000CW30184902 | ASSY,BARREL,TOP PLATE,ALUMINUM | 305 |
| PPP0000CWLDDNN038200 | SLOTTED PIN SPRING, DIA 3/8 X 2 | 306 |
| PPP00000CW12402101 | BUMPER, ID 1.050, BLK RUBBER | 307 |
| PPP00000CW12404101 | CAP, GUIDE ROD,DIA 3/4, BLK | 308 |
| PPP00000CW32931101 | WEIGHT STACK LABELS, 10-100, STRAIG | 314 |
| PPP00000CW33323721 | STACK RISER, 5 INCH, WRINKLE BLACK | 315 |
| PPP00000CW32663741 | WELDMENT, BOLT ON TOP PLATE MINI ST | 316 |
| PPP00000CW32933101 | WEIGHT STACK LABELS, 10-150, STAGGE | 318 |
| PPP00000CWPF1016732 | BAR,,FLAT CR/HR, 3/8 X 2 X 8 1/4, 3 | 319 |
| PPP00000CWPF1214711 | GUIDE ROD,STEEL,OD 3/4 X 52 5/8, CH | 320 |
| PPP0000CWTAYN031150 | SCREW, BUTTON HEAD, BLK XYLAN, 5/16 | 321 |
| PPP0000CWTAYN038125 | SCREW, BUTTON HEAD, BLK XYLAN, 3/8 | 322 |
| PPP0000CWWALYN031008 | WASHER, SPLIT, 5/16 ID, BL | 323 |
| PPP0000CWWBKN031007 | WASHER, FLAT, TYPE A, SAE, 5/16 ID | 324 |
| PPP0000CWWCKN075015 | WASHER, FLAT, TYPE A, WIDE, 3/4 ID | 325 |
| PPP00000CW32933101 | WEIGHT STACK LABELS, 10-150, STAGGE | 328 |
| PPP00000CW32933101 | WEIGHT STACK LABELS, 10-150, STAGGE | 333 |
| PPP00000CW31772741 | ASSY, ADD-ON WEIGHT HORN, CLEAR ZIN | 350 |
| PPP00000CWAC1177101 | FLOOR PROTECTOR, RUBBER, 4.563 X 4. | 501 |
| PPP00000CWAC1178101 | FLOOR PROTECTOR, RUBBER, 2.563 X 6. | 502 |
| PPP00000CW58004101 | WEIGHT STACK BUSHING KIT, KS SERIES | 600 |